

DigTech
The Power to Create



DIGIDELAY
DIGITAL DELAY

DECLARATION OF CONFORMITY

Manufacturer's Name: DigiTech
Manufacturer's Address: 8760 S. Sandy Parkway
Sandy, Utah 84070, USA

declares that the product:

Product name: DigiDelay
Product option: all (requires Class II power
adapter that conforms to the
requirements of EN60065,
EN60742, or equivalent.)

conforms to the following Product Specifications:

Safety: IEC 60065 (1998)

EMC: EN 55013 (1990)
EN 55020 (1991)

Supplementary Information:

The product herewith complies with the requirements of the
Low Voltage Directive 72/23/EEC and the EMC Directive
89/336/EEC as amended by Directive 93/68/EEC.

Vice-President of Engineering
8760 S. Sandy Parkway
Sandy, Utah 84070, USA
Date: April 12, 2002

European Contact: Your local DigiTech Sales and
Service Office or

Harman Music Group
8760 South Sandy Parkway
Sandy, Utah
84070 USA
Ph: (801) 566-8800
Fax: (801) 568-7583

Warning

For your protection, please read the following:

Important Safety Instructions

1. Read these instructions.
2. Keep these instructions.
3. Heed all warnings.
4. Do not use this apparatus near water.
5. Clean only with dry cloth.
6. Do not block any ventilation openings. Install in accordance with the manufacturer's instructions.
7. Do not install near any heat sources such as radiators, heat registers, stoves, or other apparatus (including amplifiers) that produce heat.
8. Protect the power cord from being walked on or pinched particularly at plugs, convenience receptacles, and the point where they exit from the apparatus.
9. Unplug this apparatus during lightning storms or when unused for long periods of time.
10. No user serviceable parts inside. Refer all servicing to qualified service personnel. Servicing is required when the apparatus has been damaged in any way, such as power-supply cord or plug is damaged, liquid has been spilled or objects have fallen into the apparatus, the apparatus has been exposed to rain or moisture, does not operate normally, or has been dropped.
11. **WARNING:** To reduce the risk of fire or electric shock, do not expose this apparatus to rain or moisture.
12. Refer to labels on the unit, including bottom cover, or other markings and pertinent information.

WARRANTY: We at **DigiTech** are proud of our products and back-up each one with the following warranty:

1. The warranty registration card must be mailed within ten days after purchase date to validate this warranty.
2. DigiTech warrants this product, when used solely within the U.S., to be free from defects in materials and workmanship under normal use and service.
3. DigiTech liability under this warranty is limited to repairing or replacing defective materials that show evidence of defect, provided the product is returned to DigiTech WITH RETURN AUTHORIZATION, where all parts and labor will be covered up to a period of **one** year (this warranty is extended to a period of **six** years when the product has been properly registered by mail or through our website). A Return Authorization number may be obtained from DigiTech by telephone. The company shall not be liable for any consequential damage as a result of the product's use in any circuit or assembly.
4. Proof-of-purchase is considered to be the burden of the consumer.
5. DigiTech reserves the right to make changes in design, or make additions to, or improvements upon this product without incurring any obligation to install the same on products previously manufactured.
6. The consumer forfeits the benefits of this warranty if the product's main assembly is opened and tampered with by anyone other than a certified DigiTech technician or, if the product is used with AC voltages outside of the range suggested by the manufacturer.
7. The foregoing is in lieu of all other warranties, expressed or implied, and DigiTech neither assumes nor authorizes any person to assume any obligation or liability in connection with the sale of this product. In no event shall DigiTech or its dealers be liable for special or consequential damages or from any delay in the performance of this warranty due to causes beyond their control.

NOTE: The information contained in this manual is subject to change at any time without notification. Some information contained in this manual may also be inaccurate due to undocumented changes in the product or operating system since this version of the manual was completed. The information contained in this version of the owner's manual supersedes all previous versions.

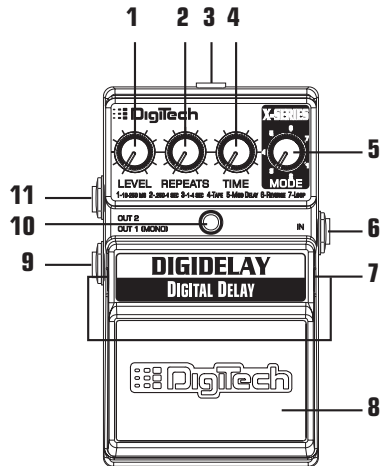
The DigiDelay is a unique delay pedal, combining several features that have never been available in a standard stompbox. The DigiDelay offers 4-seconds of delay, four different delay types including ping-pong, tape, reverse, modulated, and a loop function. The Loop function records loops up to 4 seconds in length that you can add overdubs to. The DigiDelay also features Tap Tempo delay and switchable CIT™ cabinet modeling. This owner's manual will guide you through all of these features. But feel free to experiment as you read through it.

1. Level Knob

Controls the delay effect's output level. Turn this knob clockwise to increase the output level, and counter-clockwise to decrease the output level.

2. Repeats Knob

Controls the number of delay repeats. Turn this knob clockwise to increase the number of repeats, and counter-clockwise to decrease the number of repeats. Turning this knob to the maximum position engages repeat-hold of the delay signal. This knob is disabled in **7-LOOP** mode.



3. AC Adapter Jack

Connect a DigiTech PS200R power supply to this jack. Use the proper supply for your area's Mains line voltage.

4. Time Knob

Controls the amount of delay time specified by the range selected with the **Mode (5)** knob. The knob's minimum position is the shortest delay time for the given range. The knob's maximum position is the longest delay time for the given range. When **4-TAPE**, **5-MOD DLY**, or **6-REVERSE** is selected, the delay time ranges vary from 10ms - 8 seconds (see Mode Knob for exact ranges). You can increase the delay time by tapping in a longer time using the Tap Tempo delay feature (see Tap Tempo section). The Time knob is disabled when **7-LOOP** is selected or when the DigiDelay is in Tap Tempo mode.

5. Mode Knob

Selects a delay range, delay type, or the infinite Loop function. The first four mode settings give you ping-pong delay when **Out 2** is used in conjunction with **Out 1**.

Select one of the following:

1-10-250 MS - 10 to 250 milliseconds

2-250 MS-1 SEC - 250 milliseconds to 1 second

3-1-4 SEC - 1 to 4 seconds

4-TAPE* - Emulates a vintage tape delay

5-MOD DLY* - A digital delay with chorused repeats

6-REVERSE* - A delay where the repeats are played backwards

7-LOOP - A repeat/hold function that lets you create infinite loops of up to four seconds in length.

* Mod Delay delay time range is 10ms - 1 sec. Tape Delay range is 100ms - 1 sec. Reverse delay range is 1 - 8 seconds. To increase the time of Tape or Mod Delay types, use the Tap Tempo delay feature.

6. Input Jack

Connect your instrument to this jack. Connecting a guitar cable to this jack supplies battery power even though the Indicator LED may not be lit. To prolong battery life, disconnect all cables from the pedal when not in use.

7. Pedal Release Pins

These two pins are spring-loaded hinges that hold the pedal in place. Push these pins in to release the pedal from the pedal chassis exposing the battery compartment. (See battery replacement diagram).

8. Pedal

Press the pedal to turn the effect on and off. The Pedal is also used for tapping in the delay time when using the Tap Tempo delay feature.

9. Out 1(Mono) Jack

Connect this output to a single guitar amplifier when only one amp or mixer channel is being used.

10. Indicator LED

This LED indicates when the effect is turned on. When using the Tap Tempo delay feature, the LED will flash at the rate of the delay time. If the LED becomes dim or does not light when the cables are connected, the battery needs to be replaced.

11. Out 2 Jack

Connect this output to a second amplifier for ping-pong delay when using one of the first three Mode settings, or Tape or Reverse delay types. Use both this output combined with **Out 1** for a more enhanced chorusing effect when using the Modulated Delay.

Tap Tempo Delay

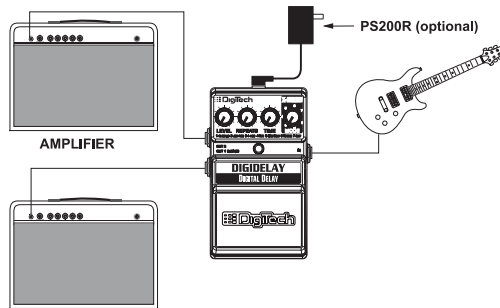
The DigiDelay's Pedal can be used as a tap-tempo switch for setting the delay time during a live performance. To use the Pedal for tap-tempo, follow these steps:

1. While the delay effect is on, press and hold the **Pedal (8)** for 3 seconds until the **Indicator LED (10)** begins flashing. The LED flashes at the delay time's duration.
2. Tap the **Pedal** switch at least two times to set a new delay time. The last two pedal tap intervals set the delay time. The **Time (4)** knob is disabled when tap-tempo is active, and the delay cannot be bypassed.
3. To exit tap-tempo, press and hold the **Pedal** for 3 seconds until the **Indicator LED** stops flashing and lights solid red.

Loop Delay

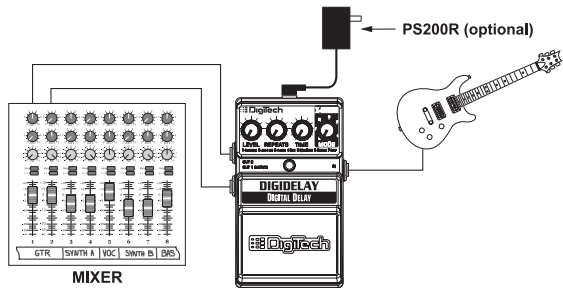
The Mode knob's **7-LOOP** setting is used to create an infinite delay loop up to four seconds long. Once a loop is created, you can add overdub parts to it. To use the Loop feature, follow these steps:

1. Select **7-LOOP** using the **MODE (5)** knob.
2. Begin with the effect bypassed. Press and hold the **Pedal (8)** and immediately begin playing. The **Indicator LED (10)** is lit solid red.
3. When you reach the end of your loop, release the **Pedal**. The passage plays back in an infinite loop, and the **Indicator LED** flashes red.
4. To add overdubs to the existing loop, press and hold the **Pedal** at any time and begin playing. The **Indicator LED** is lit solid red as long as the pedal is held, indicating that anything played will be added to the loop.
5. To stop the loop, quickly press the **Pedal**. This puts the DigiDelay into Bypass. The loop stops playing and the delay loop memory is cleared.



Connections

The DigiDelay has a single input and a pair of outputs. **Out 1** is used if the DigiDelay is being connected to only one amplifier. **Out 2** is used for stereo operation. Connect **Out 1** to the first amplifier and **Out 2** to the second amplifier. Using **Out 2** gives you ping-pong delay for the first three Mode settings, or Tape or Reverse delay types.



CIT™ Cabinet Modeling

The DigiDelay also has built-in CIT™ cabinet modeling. This is useful when running a distortion pedal into the DigiDelay and then running directly into a mixer or recorder. CIT cabinet modeling creates a guitar-through-an-amplifier sound without having to use a guitar amp.

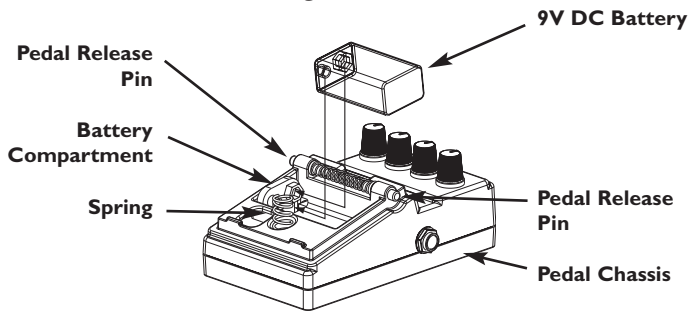
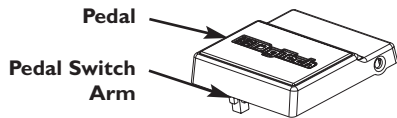
To Enable CIT™ Cabinet Modeling:

1. Begin with the power disconnected from the DigiDelay.
2. Press the **Pedal (8)** down and apply power (do this by connecting a guitar cable to the DigiDelay **Input Jack (6)** or connect the PS200R power supply to the **AC Adapter Jack (3)**). When the **Indicator LED (10)** has stopped flashing, release the **Pedal**.

CIT™ cabinet modeling has to be enabled each time you apply power to the DigiDelay using the procedure outlined above.

Battery Replacement

1. Using the tip of a 1/4" guitar cable, push one of the release pins in on either side of the pedal, and remove the pedal from the pedal chassis.
2. Remove the battery from the battery compartment and disconnect the battery cable.
3. Connect a new battery to the battery cable and put it back in the battery compartment. Make sure the battery cable does not interfere with the spring or pedal switch arm.
4. Place one hole of the pedal over its corresponding pin.
5. Push the opposite pin in and lower the other side of the pedal into place over the depressed pin. Release the pin. When the pedal is properly fastened, both release pins are flush with the outer side of the pedal.



SPECIFICATIONS:

- Controls - Level, Repeats, Time, Mode, On/Off Pedal
- Jacks - Input, Out 1 (Mono), Out 2
- Input Impedance - 1 MOhms
- Output Impedance - 100 Ohms
- Power Supply - 9V Alkaline Dry Battery
- Power Consumption - 4.8Watts (w/optional PS200R power supply)
- Battery Life - Approximately 4 hours (with continuous usage)
- Dimensions - 4 15/16"(L) x 3 1/8"(W) x 2 1/8"(H)
- Weight - 1.38 lbs.
- Optional Power Supply
 - PS200R - 100 (100V ~ 50/60Hz)
 - PS200R - 120 (120V ~ 60Hz)
 - PS200R - 230 (230V ~ 50Hz)
 - PS200R - 240 (240V ~ 50Hz)

DigiTech
8760 South Sandy Parkway
Sandy, Utah 84070
PH (801) 566-8800
FAX (801) 566-7005

**DigiTech and X-Series are trademarks
of the Harman Music Group Inc.**

Copyright - Harman Music Group

**DigiDelay Digital Delay
Owners Manual 18-1808V-A**

**Please visit DigiTech
on the World Wide Web at:
www.digitech.com**

Printed in China

H A Harman International Company