

ModVerb

Modulation Reverb Pedal

Owner's Manual

Precautions

PLEASE READ CAREFULLY BEFORE PROCEEDING

Power Supply

Please connect the designated AC adapter to an AC outlet of the correct voltage. Please be sure to use only an AC adapter which supplies 9V DC, ⊕ ⊖ center negative. Please do not use an AC adapter which supplies more than 9V DC. Unplug the AC power adapter when not in use or during electrical storms.

Connections

Always turn off the power and all other equipment before connecting or disconnecting. This will help prevent malfunction and damage to any of the devices. Make sure to unplug all connection cables and power cords before moving this unit. To avoid deformation, discoloration, or other serious damage, do not expose this unit to the following conditions:

- Direct sunlight
- Heat sources
- Magnetic fields
- Extreme temperature or humidity
- Excessively dusty or dirty location
- High humidity or moisture
- Strong vibration or shock

Interference with other electrical devices and Cleaning

Radios and televisions placed nearby may experience reception interference. Operate this unit at a suitable distance from radios and televisions. Clean only with a soft, dry cloth.

Handling

Do not apply excessive force to the switches or controls. Do not let paper, metal, or other objects into this unit. Take care not to drop the unit, and do not subject it to shock or excessive pressure.

FCC certification

This device complies with Part 15 of the FCC Rules. Operation is subject to the following two conditions:

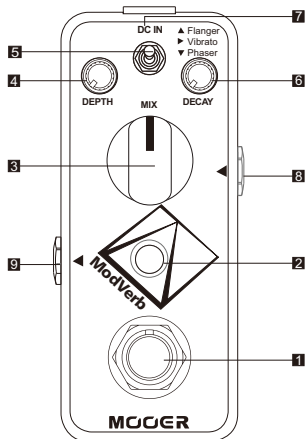
- This device may not cause harmful interference.
- This device must accept any interference received, including interference that may cause undesired operation.

Main Features

- High quality reverb with 3 modulation types: Flanger, Vibrato, Phaser
- DEPTH, DECAY, and MIX controls.
- Tap tempo functionality

- Frozen functionality
- Small and compact size
- True bypass

Pedal layout



- 1. True bypass footswitch:**
Engages and disengages the effect. Hold the footswitch to activate Freeze effect.
- 2. On/Off Led:**
Displays the on/off status of the pedal. Controls tap tempo. Tap the LED 2 or more times to synchronize the modulation rate to your desired tempo.
- 3. Mix control:**
Adjusts the reverb and modulation effect mix.
- 4. DEPTH**
Adjusts the depth of the modulation.
- 5. Toggle switch**
Selects between Flanger, Vibrato and Phaser modulation effects.
- 6. DECAY**
Adjusts the decay of the reverb effect.

- 7. DC in power jack:** Input for power supply, use a 9V DC regulated power supply ⊕ ⊖, 160mA, center pin negative.
- 8. Input jack :** 1/4" audio jack for connecting to the input device or instrument.
- 9. Output jack :** 1/4" audio jack, effect output for connection to amp or other devices.

Specification

Modes: High quality reverb, 3 kinds of modulation effect with tap tempo and frozen functionality.

Input: 1/4" mono audio jack. (Impedance: 470k Ohms)

Output: 1/4" mono audio jack (Impedance: 100 Ohms)

Power requirements: AC adapter 9V DC ⊕ ⊖, center negative. Highly recommend to use Mooger Micro Power.

Current Draw: 160mA

Dimensions: 93.5mm(D) x 42mm(W) x 52mm(H)

Weight: 146g

Accessories: Owner's Manual

*Notes : Any specification's update will not be amended in this manual.

MOOER

ModVerb

调制混响单块

用户手册

注意事项

使用前请仔细阅读

电源供应

请使用正确的交流电源插座连接电源变压器。

请使用内负外正 \oplus \ominus 的9V ($\pm 10\%$) 电源变压器, 否则将会导致设备损坏, 着火或者其他问题。不使用时或雷雨天请拔下电源。

连接

连接设备或断开连接前, 请务必关闭电源及其他设备, 这将有助于避免故障和损害其他设备。另外, 要确保移动本机前断开所有的连接线和电源线。

放置场所

为防止变形、变色, 及其他严重损坏, 请避免以下情况:

- 阳光直射
- 靠近热源
- 磁场
- 高温潮湿
- 多尘或不洁的地方
- 湿度较大
- 强烈震动或摇晃

电器干扰

在使用本机时, 收音机和电视机可能会造成干扰。使用本机时要远离收音机和电视机。

清洁

请使用干燥柔软的布清洁本机。如有必要, 可用稍微湿润的布拭擦。切勿使用粗糙的清洁剂、酒精、涂料稀释剂、蜡、溶剂、清洁剂及化学试剂等浸渍抹布。

操作

请勿暴力使用开关及控制元件。

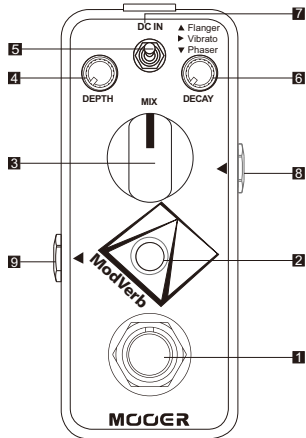
请勿让纸屑、金属制品及其他物体落入机内。

注意不要掉落, 不要使其受到冲击及过度压力。

性能概述

- 三种调制混响模式选择: FLANGER模式, VIBRATO模式和Phaser模式。
- 提供DEPTH, DECAY和MIX旋钮调节调制和混响效果参数
- LED按键灯调节TAP TEMPO功能
- 长踩脚踏进入feedback状态, 可产生自激效果。
- 全金属MINI外壳
- 9V电源供电 \oplus \ominus

面板说明



- 1.TRUE BYPASS 踩钉:**轻踩效果器开关, 开启或关闭效果; 在效果开启状态长踩保持进入feedback模式, 激活自激功能, 松开踩钉时恢复正常效果
- 2.LED灯:**LED提示效果器工作状态, 附带TAP TEMPO功能, 轻按两下可根据按下速度调节所选调制效果的速率。
- 3.MIX旋钮:**调节总体调制效果和混响效果与干声的比例。
- 4.DEPH旋钮:**调试调制类效果的深度。
- 5.三档拨档:**可选择当前使用调制类效果的模式, 分别为FLANGER模式, VIBRATO模式和PHASER模式。
- 6.DECAY旋钮:**调节为混响效果的深度。
- 7.DC9V**使用9V直流变压器(内负外正 \oplus \ominus , 160mA)
- 8.INPUT输入:**1/4" 单声道音频接口, 连接输入信号。
- 9.OUTPUT输出:**1/4" 单声道音频接口, 连接输出信号。

操作说明

1. 连接电源(9V, 内负外正 \oplus \ominus , 160mA)
2. 连接吉他信号输入至ModVerb的INPUT接口, OUTPUT接口连接至音箱输入接口
3. 踩下踩钉开启效果器, 通过提供的旋钮调节对应参数获得需要的效果音色

技术参数

工作模式: 调制混响效果, 可独立调节参数, 附带TAP TEMPO功能和自激模式。**输入:** 1/4" 单声道音频接口 (阻抗470k Ohms)**输出:** 1/4" 单声道音频接口 (阻抗100 Ohms)**电源供给:** 9V直流变压器(内负外正), 推荐使用Mooer Micro Power**工作电流:** 160mA**尺寸:** 93.5mm(D) x 42mm(W) x 52mm(H)**重量:** 146g**附件:** 用户手册

*免责声明: 参数更新恕不另行通知